

JVC

SERVICE MANUAL

MICRO COMPONENT SYSTEM

UX-MD9000

Area Suffix

UF ----- China

This model is UF version that is added to the preceding model, the UX-MD9000. Therefore the service manual of this model is consisting of Parts list only.

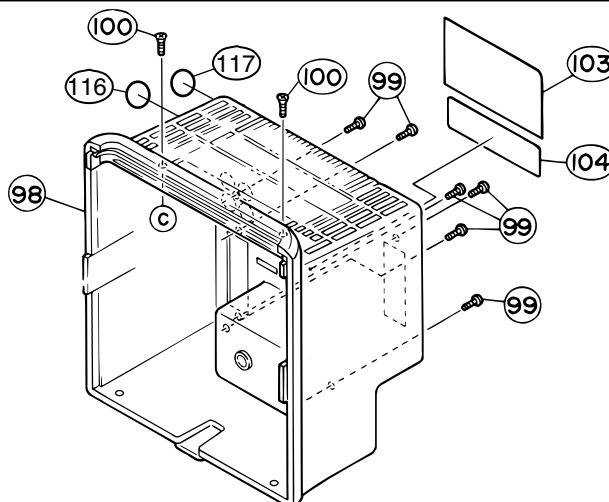
For others, please refer to the service manual of UX-MD9000/FS-MD9000 (issue No.20717).

Parts list

P3-2

Block No. **M1M1M**

△	Ref.	Parts name	Parts No.		Qty
			U version	UF version	
	98	REAR COVER	LV10044-003A	LV10044-002A	1
	103	NAME PLATE	LV30676-003A	LV30676-010A	1
	116	CCEE LABEL	-----	E409372-001	1
	117	CCIB LABEL	-----	LV41768-001A	1
△	F1901	FUSE	QMF51E2-1R0J1	QMF51E2-R50-J1	1
△	T1901	POWER TRANSF.	QQT0222-004	QQT0222-006	1



■ Main board (For except Ver.EE) P3-10 Block No. 01

△	Ref.	Parts name	Parts No.	
			U version	UF version
	CN191	CONNECTOR	QGA7901C1-04	QGA7901C1-02
△	S1901	VOLTAGE SELCTOR	VMZ0126-003	-----

■ Packing list P3-33 Block No. M4MM

△	Ref.	Parts name	Parts No.		Qty
			U version	UF version	
	P6	PACKING CASE	LV3142-013A	LV30142-017A	1

■ Accessories list P3-33 Block No. M5MM

△	Ref.	Parts name	Parts No.		Qty
			U version	UF version	
	A1	INST.BOOK (LANGUAGE)	LVT0052-001A (ENG,SPA,CHI)	LVT0052-004A (CHI)	1
△	A7	POWER CORD	QMP39F0-183E	QMPS020-183-JC	1
	A10	SPK.CORD(2PCS)	VMP0133-001	QAM0293-001	1
△	A20	AC PLUG	V04062-002	-----	-
	A22	WARANTY.CARD	-----	BT-59011-2	1
	A23	S.CENTER.LIST	-----	BT-59012-1	1



VICTOR COMPANY OF JAPAN, LIMITED
 AUDIO & COMMUNICATION BUSINESS DIVISION
 PERSONAL & MOBILE NETWORK BUSINESS UNIT. 10-1,1chome,Ohwatari-machi,Maebashi-city,371-8543,Japan